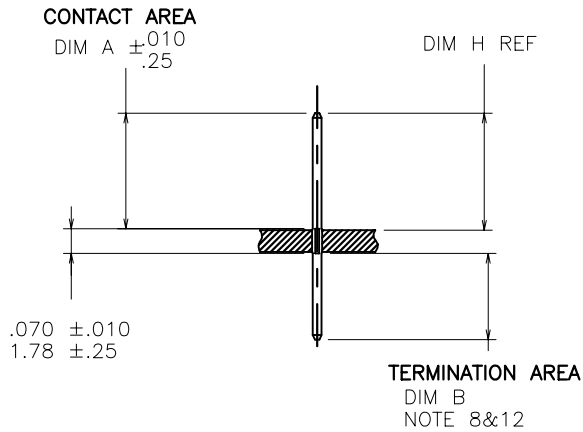
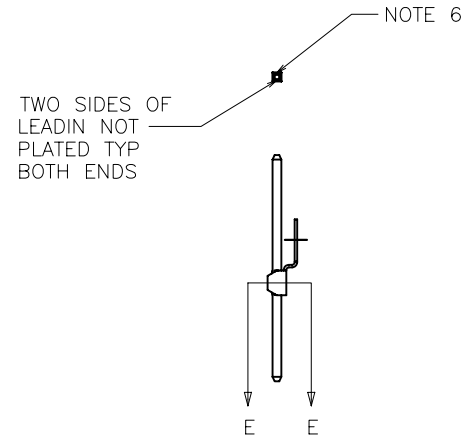
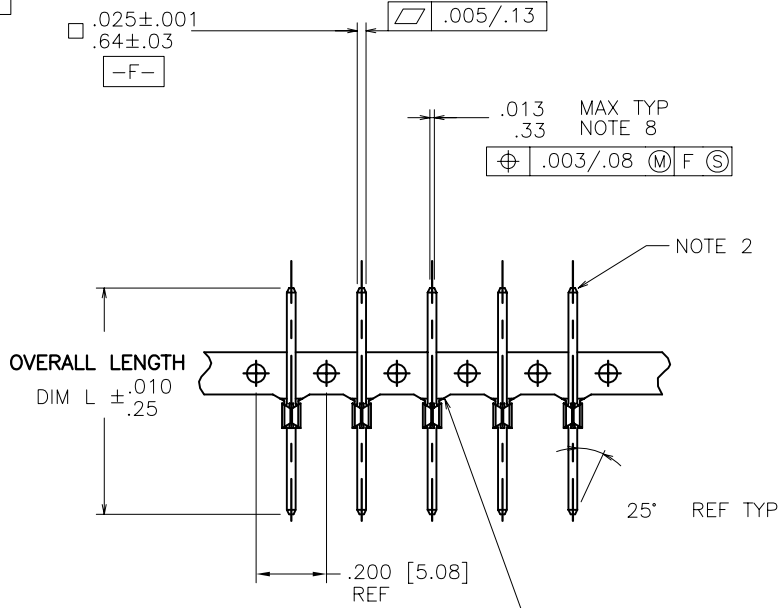


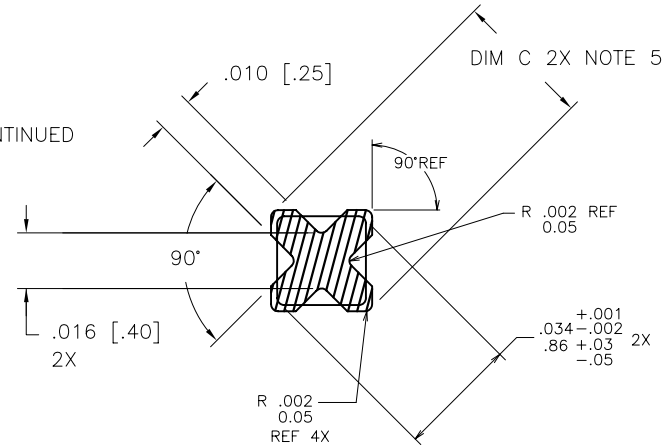
PRODUCT NUMBER  
SEE TABLE



mat'l. code		surface		tolerance		projection		product family	
SEE NOTE 1		ASME Y14.5		ASME Y14.5		INCH/MM		PIN PRODUCTS	
ltr	ec'n no	dr	date	angles	fin	tolerances unless otherwise specified		title	
BC	V08-0353	HTB	2008-08-14			XX*.01/X*.3 XXX*.005/XXX*.13		BERGPIN® .200"[5.08]cc .039"[0.99] DIA. STAR	
AW	V71495	HTB	1997-10-29	0° ±2'		XXXX*.0020/XXX*.051		scale 1:1	
AX	V90053	SAR	1999-01-19	dr	M. CORNMAN	1990-02-22		dwg no sheet 1 of 5 size	
AY	V01279	LSS	2000-05-25	enfr	K.D. PATEL	1990-02-22		75401 A4	
BA	V05-0399	HTB	2005-04-28	chr	E. IORFIDO	1992-12-21		type CUSTOMER Drawing	
BB	V06-0684	HTB	2006-07-21	appd	E. IORFIDO	1992-12-21			
sheet	revision	BC	BC	BC	BC	BC	BC		
index	sheet	1	2	3	4	5			

PRODUCT NUMBER NOTE 14	PLATING	UNDERPLATING
75401-YYY	30μ" [0.76μ] MIN Au	50μ" [1.27μ] MIN Ni
75401-YYLFL		
75403-YYY	50μ" [1.27μ] MIN Au	50μ" [1.27μ] MIN Ni
75403-YYLFL		
75404-YYY	<del>120μ" [3.05μ] MIN 93/7 SnPb</del>	<del>50μ" [1.27μ] MIN Ni</del>
75404-YYLFL	100μ" [2.54μ] MIN Sn (NOTE 15)	50μ" [1.27μ] MIN Ni
75405-YYY	30μ" [0.76μ] MIN GXT™	50μ" [1.27μ] MIN Ni
75405-YYLFL		
75406-YYY	15μ" [0.38μ] MIN GXT™	50μ" [1.27μ] MIN Ni
75406-YYLFL		
75409-YYY	15μ" [0.38μ] MIN Au	50μ" [1.27μ] MIN Ni
75409-YYLFL		

DISCONTINUED



SCALE 10/1  
WITHOUT FERRULE

NOTES:

1. PIN MATERIAL: PHOS-BRONZE 3/4 HARD ASTM B-159-66.
2. BURNISH MARKS ON PIN PERMITTED. BURR .003 [0.08] MAX TYP  
BULGE .0005 [0.013] MAX TYP.
3. SEE PRODUCT SPECIFICATION BUS-12-064 FOR P.C. BOARD HOLE DIAMETER AND P.C. BOARD HOLE PLATING INFORMATION.
4. FOR MANUFACTURING PURPOSES ONLY.
5. THE .039+.001,-.002 [0.99+.03,-.05] FEATURE SHALL BE CONCENTRIC TO THE WIRE DIAGONAL WITHIN .004 [0.10] TIR.
6. .002 [0.05] R MAX TYP 4 PLACES ON WIRE WRAP PORTION OF PIN.
7. USE FIRST TWO DIGITS OF "H" DIMENSION FOR DASH NUMBER OF PUNCH FROM MACHINE EPL;  
PUNCH P/N FROM EPL  
EXAMPLE: 75402-001 "H" .062 [1.57]. BD,=.235  
BP161A-XXXXXX-023  
BP151 -YYYYY-023  
BP171 -ZZZZZ-023
8. IF "B" DIM. IS .235 [5.96] OR LESS, THE MAX. FLAT MAY BE .016 [0.41].
9. TOLERANCE: +.001 [0.03],-.002 [0.05].
10. TOLERANCE: ±.001 [0.03].
11. NOT RECOMMENDED FOR BP 161 STYLE MACHINES.
12. IF DIMENSION B IS LESS THAN .030 [0.76], THE MAX FLAT MAY BE .016 [0.41] REF WITH .010 [0.25] LONG LEAD-IN ANGLES.

13. CENTER LINE OF TERMINAL MUST BE IN A TRUE POSITION WITHIN .015 [0.38] DIA. WITH RESPECT TO THE HOLE AXIS AFTER INSERTION IN PC BOARD.
14. ADD AN LF SUFFIX TO PART NUMBERS FOR PRODUCT THAT MEETS EUROPEAN UNION DIRECTIVES AND OTHER COUNTRY REGULATIONS AS DESCRIBED IN GS-22-008.
15. THIS PRODUCT HAS 100% TIN PLATING IN THE INTERFACE AND HAS NOT BEEN TESTED FOR WHISKER GROWTH IN ALL INTERCONNECT ENVIRONMENTS.

mat'l. code		surface		tolerance		projection		product family	
SEE NOTE 1		ASME Y14.5		ASME Y14.5		INCH/MM		PIN PRODUCTS	
ltr	ecr no	dr	date	tolerances unless otherwise specified		scale		title	
BC				angles	XX+01/XX+3	1:1		BERGPIN® .200"[5.08]cc	
				0° ±2'	XXX+005/XX+13			.039"[0.99] DIA. STAR	
					XXXX+0020/XXX+051			dwg no	
		dr	M. CORNMAN	1990-02-22				sheet 2 of 5	
		engr	K.D. PATEL	1990-02-22				size	
		chr	E. IORFIDO	1992-12-21				75401	
		appd	E. IORFIDO	1992-12-21				A4	
sheet index	revision sheet							type CUSTOMER Drawing	



PRODUCT NUMBER NOTE 14	CONTACT AREA DIM A	TERMINATION AREA DIM B	DIM C		DIM H FOR .062 BOARD 1.57	DIM H FOR .093 BOARD 2.36	DIM H FOR .125 BOARD 3.18	OVERALL LENGTH DIM L	CUSTOMER RESTRICTED
7540X-001	.230/5.84	.045/1.14	.039/.99	NOTE 9	.235/5.97	.220/5.59	.205/5.21	.345/8.76	NO
7540X-002	.265/6.73	.045/1.14	.039/.99	NOTE 9	.270/6.86	.255/6.48	.240/6.10	.380/9.65	NO
7540X-003	.345/8.76	.045/1.14	.039/.99	NOTE 9	.350/8.89	.335/8.51	.320/8.13	.460/11.68	NO
7540X-004	.400/10.16	.045/1.14	.039/.99	NOTE 9	.405/10.29	.390/9.91	.375/9.53	.515/13.08	NO
7540X-005	.415/10.54	.045/1.14	.039/.99	NOTE 9	.420/10.67	.405/10.29	.390/9.91	.530/13.46	NO
7540X-006	.435/11.05	.045/1.14	.039/.99	NOTE 9	.440/11.18	.425/10.80	.410/10.41	.550/13.97	NO
7540X-007	.465/11.81	.045/1.14	.039/.99	NOTE 9	.470/11.94	.455/11.56	.440/11.18	.580/14.73	NO
7540X-008	.515/13.08	.045/1.14	.039/.99	NOTE 9	.520/13.21	.505/12.83	.490/12.45	.630/16.00	NO
7540X-009	.570/14.48	.045/1.14	.039/.99	NOTE 9	.575/14.61	.560/14.22	.545/13.84	.685/17.40	NO
7540X-010	.585/14.86	.045/1.14	.039/.99	NOTE 9	.590/14.99	.575/14.61	.560/14.22	.700/17.78	NO
7540X-011	.635/16.13	.045/1.14	.039/.99	NOTE 9	.640/16.26	.625/15.88	.610/15.49	.750/19.05	NO
7540X-012	.655/16.64	.045/1.14	.039/.99	NOTE 9	.660/16.76	.645/16.38	.630/16.00	.770/19.56	NO
7540X-013	.745/18.92	.045/1.14	.039/.99	NOTE 9	.750/19.05	.735/18.67	.720/18.29	.860/21.84	NO
7540X-014	.265/6.73	.245/6.22	.039/.99	NOTE 9	.270/6.86	.255/6.48	.240/6.10	.580/14.73	NO
7540X-015	.345/8.76	.245/6.22	.039/.99	NOTE 9	.350/8.89	.335/8.51	.320/8.13	.660/16.76	NO
7540X-016	.400/10.16	.245/6.22	.039/.99	NOTE 9	.405/10.29	.390/9.91	.375/9.53	.715/18.16	NO
7540X-017	.465/11.81	.245/6.22	.039/.99	NOTE 9	.470/11.94	.455/11.56	.440/11.18	.780/19.81	NO
7540X-018	.570/14.48	.245/6.22	.039/.99	NOTE 9	.575/14.61	.560/14.22	.545/13.84	.885/22.48	NO
7540X-019	.625/15.88	.245/6.22	.039/.99	NOTE 9	.630/16.00	.615/15.62	.600/15.24	.940/23.88	NO
7540X-020	.655/16.64	.245/6.22	.039/.99	NOTE 9	.660/16.76	.645/16.38	.630/16.00	.970/24.64	NO
7540X-021	.265/6.73	.355/9.02	.039/.99	NOTE 9	.270/6.86	.255/6.48	.240/6.10	.690/17.53	NO
7540X-022	.345/8.76	.355/9.02	.039/.99	NOTE 9	.350/8.89	.335/8.51	.320/8.13	.770/19.56	NO
7540X-023	.400/10.16	.355/9.02	.039/.99	NOTE 9	.405/10.29	.390/9.91	.375/9.53	.825/20.96	NO
7540X-024	.465/11.81	.355/9.02	.039/.99	NOTE 9	.470/11.94	.455/11.56	.440/11.18	.890/22.61	NO
7540X-025	.570/14.48	.355/9.02	.039/.99	NOTE 9	.575/14.61	.560/14.22	.545/13.84	.995/25.27	NO
7540X-026	.625/15.88	.355/9.02	.039/.99	NOTE 9	.630/16.00	.615/15.62	.600/15.24	1.050/26.67	NO
7540X-027	.655/16.64	.355/9.02	.039/.99	NOTE 9	.660/16.76	.645/16.38	.630/16.00	1.080/27.43	NO
7540X-028	.305/7.75	.035/0.89	.039/.99	NOTE 9	.310/7.87	.295/7.49	.280/7.11	.410/10.41	NO
7540X-029	.755/19.18	.345/8.76	.039/.99	NOTE 9	.760/19.30	.745/18.92	.730/18.54	1.170/29.72	NO
7540X-030	.710/18.03	.345/8.76	.039/.99	NOTE 9	.715/18.16	.700/17.78	.685/17.40	1.125/28.58	NO
7540X-031	.545/13.84	.198/5.03	.039/.99	NOTE 9	.550/13.97	.535/13.59	.520/13.21	.813/20.65	NO
7540X-032									DISCONTINUED
7540X-033	.335/8.51	.375/9.53	.039/.99	NOTE 9	.340/8.64	.325/8.26	.310/7.87	.780/19.81	NO
7540X-034	.535/13.59	.045/1.14	.039/.99	NOTE 9	.540/13.72	.525/13.34	.510/12.95	.650/16.51	NO
7540X-035	.560/14.22	.260/6.60	.039/.99	NOTE 9	.565/14.35	.550/13.97	.535/13.59	.890/22.61	NO

DISCONTINUED

mat'l. code SEE NOTE 1		surface ASME Y14.5 <input checked="" type="checkbox"/>	tolerance ASME Y14.5	projection 	product family PIN PRODUCTS
ltr	ecn no	dr	date	tolerances unless otherwise specified	title
BC				angles $\frac{1}{16}$ XX*.01/XX*.3 XXX*.005/XXX*.13	BERGPIN® .200"[5.08]cc .039"[0.99] DIA. STAR
				0' ±2' $\frac{1}{16}$ XXXX*.0020/XXX*.051	scale 1:1
		dr	M. CORNMAN	1990-02-22	dwg no
		engr	K.D. PATEL	1990-02-22	sheet 3 of 5
		chr	E. IORFIDO	1992-12-21	size
		appd	E. IORFIDO	1992-12-21	75401
sheet index	revision sheet				A4
					type CUSTOMER Drawing



PRODUCT NUMBER NOTE 14	CONTACT AREA DIM A	TERMINATION AREA DIM B	DIM C	DIM H FOR .062 1.57 BOARD	DIM H FOR .093 2.36 BOARD	DIM H FOR .125 3.18 BOARD	OVERALL LENGTH DIM L	CUSTOMER RESTRICTED
7540X-036	.510/12.95	.381/9.68	.039/.99 NOTE 9	.515/13.08	.500/12.70	.485/12.32	.961/24.41	NO
7540X-037	.325/8.26	.101/2.57	.039/.99 NOTE 9	.330/8.38	.315/8.00	.300/7.62	.496/12.60	NO
7540X-038	.595/15.11	.330/8.38	.039/.99 NOTE 9	.600/15.24	.585/14.86	.570/14.48	.995/25.27	NO
7540X-039	.755/19.18	.065/1.65	.039/.99 NOTE 9	.760/19.30	.745/18.92	.730/18.54	.890/22.61	NO
7540X-040	.315/8.00	.395/10.03	.039/.99 NOTE 9	.320/8.13	.305/7.75	.290/7.37	.780/19.81	NO
7540X-041	.230/5.84	.080/2.03	.039/.99 NOTE 9	.235/5.97	.220/5.59	.205/5.21	.380/9.65	NO
7540X-042	.870/22.10	.045/1.14	.039/.99 NOTE 9	.875/22.23	.860/21.84	.845/21.46	.985/25.02	NO
7540X-043	.504/12.80	.329/8.36	.039/.99 NOTE 9	.509/12.80	.494/12.55	.479/12.17	.900/22.86	NO
7540X-044	.324/8.23	.056/1.42	.039/.99 NOTE 9	.329/8.36	.314/7.98	.299/7.60	.450/11.43	NO
7540X-045	.499/12.68	.056/1.42	.039/.99 NOTE 9	.504/12.80	.489/12.42	.474/12.04	.625/15.88	NO
7540X-046	.430/10.92	.535/13.59	.039/.99 NOTE 9	.435/11.05	.420/10.67	.405/10.29	1.035/26.29	NO
7540X-047	.375/9.53	.070/1.78	.039/.99 NOTE 9	.380/9.65	.365/9.27	.350/8.89	.515/13.08	NO
7540X-048	.375/9.53	.275/6.99	.039/.99 NOTE 9	.380/9.68	.365/9.27	.350/8.89	.720/18.29	NO
7540X-049	.545/13.84	.070/1.78	.039/.99 NOTE 9	.550/13.97	.535/13.59	.520/13.21	.685/17.40	NO
7540X-050	.313/7.95	.317/8.05	.039/.99 NOTE 9	.318/8.08	.303/7.70	.288/7.32	.700/17.78	NO
7540X-051	.320/8.13	.045/1.14	.039/.99 NOTE 9	.325/8.26	.310/7.87	.295/7.49	.435/11.05	NO
7540X-052	.620/15.75	.590/14.99	.039/.99 NOTE 9	.625/15.88	.610/15.49	.595/15.11	1.280/32.51	NO
7540X-053	.245/6.22	.045/1.14	.039/.99 NOTE 9	.250/6.35	.235/5.97	.220/5.59	.360/9.14	NO
7540X-054	.623/15.82	.270/6.86	.039/.99 NOTE 9	.628/15.95	.613/15.57	.598/15.19	.963/24.46	NO
7540X-055	.684/17.37	.046/1.17	.039/.99 NOTE 9	.689/17.50	.674/17.12	.659/16.74	.800/20.32	NO
7540X-056	.295/7.49	.187/4.75	.039/.99 NOTE 9	.300/7.62	.285/7.24	.270/6.86	.552/14.02	NO
7540X-057	.785/19.94	.045/1.14	.039/.99 NOTE 9	.790/20.07	.775/19.69	.760/19.30	.900/22.86	NO
7540X-058	.747/18.97	.518/13.16	.039/.99 NOTE 9	.752/19.10	.737/18.72	.722/18.34	1.335/33.91	NO
7540X-059	.230/5.84	.130/3.30	.039/.99 NOTE 9	.235/5.97	.220/5.59	.205/5.20	.430/10.99	NO
7540X-060	.400/10.16	.440/11.18	.039/.99 NOTE 9	.405/10.29	.390/9.91	.375/9.53	.910/23.11	NO
7540X-061	.280/7.11	.192/4.88	.039/.99 NOTE 9	.285/7.24	.270/6.86	.255/6.48	.542/13.77	NO
7540X-062	.280/7.11	.085/2.16	.039/.99 NOTE 9	.285/7.24	.270/6.86	.255/6.48	.435/11.05	NO
7540X-063	.100/2.54	.050/1.27	.039/.99 NOTE 9	.105/2.67	N/A	N/A	.220/5.59	NO
7540X-064	.380/9.65	.650/16.51	.038/.97 NOTE 10	.385/9.78	.370/9.40	.355/9.02	1.100/27.94	YES
7540X-065	.610/15.49	.030/.76	.038/.97 NOTE 10	.615/15.62	.600/15.24	.585/14.86	.710/18.03	YES
7540X-066	.822/20.88	.045/1.14	.039/.99 NOTE 9	.827/21.01	.812/20.63	.797/20.24	.937/23.80	NO
7540X-067	.940/23.88	.045/1.14	.039/.99 NOTE 9	.945/24.00	.935/23.75	.920/23.37	1.055/26.80	NO
7540X-068	.194/4.93	.042/1.07	.039/.99 NOTE 9	.196/4.98	.181/4.60	.165/4.19	.306/7.77	NO
7540X-069	.944/23.98	.041/1.04	.039/.99 NOTE 9	.948/24.08	.933/23.69	.917/23.29	1.055/26.80	NO
7540X-070	.650/16.51	.380/9.65	.039/.99 NOTE 9	.655/16.64	.640/16.26	.625/15.88	1.100/27.94	NO

NOTE 11

mat'l. code	SEE NOTE 1	surface	ASME Y14.5 <input checked="" type="checkbox"/>	tolerance	ASME Y14.5	projection	product family
ltr	ecn no	dr	date	tolerances unless otherwise specified			PIN PRODUCTS
BC				angles	XX+01/XX+3 XXX+005/XXX+13	INCH/MM	title
				0' ±2'	XXXX+0020/XXX+051	scale 1:1	BERGPIN® .200"[5.08]cc .039"[0.99] DIA. STAR
		dr	M. CORNMAN	1990-02-22			dwg no
		engr	K.D. PATEL	1990-02-22			sheet 4 of 5
		chr	E. IORFIDO	1992-12-21			size
		appd	E. IORFIDO	1992-12-21			75401
sheet index	revision sheet						A4
							type
							CUSTOMER Drawing



PRODUCT NUMBER NOTE 14	CONTACT AREA DIM A	TERMINATION AREA DIM B	DIM C	DIM H FOR .062 BOARD 1.57	DIM H FOR .093 BOARD 2.36	DIM H FOR .125 BOARD 3.18	OVERALL LENGTH DIM L	CUSTOMER RESTRICTED
7540X-071	.610/15.49	.044/1.12	.039/.99 NOTE 9	.614/15.59	.599/15.21	.583/14.81	.724/18.39	NO
7540X-072	.160/4.06	.030/.76	.039/.99 NOTE 9	.165/4.19	.150/3.81	.135/3.43	.260/6.60	NO
7540X-073	1.094/27.79	.037/.94	.039/.99 NOTE 9	1.098/27.89	1.083/27.51	1.067/27.10	1.201/30.51	NO
7540X-074	.216/5.49	.024/.61	.039/.99 NOTE 9	.220/5.59	.205/5.21	.190/4.83	.310/7.87	NO
7540X-075	.650/16.51	.380/9.65	.038/.97 NOTE 10	.655/16.64	.640/16.26	.625/15.88	1.100/27.94	YES
7540X-076	.295/7.49	.025/.64	.039/.99 NOTE 9	.300/7.62	.285/7.23	.270/6.85	.390/9.91	NO
7540X-077	.428/10.87	.025/.64	.039/.99 NOTE 9	.433/10.99	.418/10.61	.403/10.23	.523/13.28	NO
7540X-078	.530/13.46	.025/.64	.039/.99 NOTE 9	.535/13.58	.520/13.20	.505/12.82	.625/15.88	NO
7540X-079	.595/15.11	.025/.64	.039/.99 NOTE 9	.600/15.24	.585/14.85	.570/14.47	.690/17.53	NO
7540X-080	.665/16.89	.025/.64	.039/.99 NOTE 9	.670/17.01	.655/16.63	.640/16.25	.760/19.30	NO
7540X-081	.368/9.35	.045/1.14	.039/.99 NOTE 9	.373/9.47	.358/9.09	.343/8.71	.483/12.27	NO
7540X-082	.846/21.49	.045/1.14	.038/.97 NOTE 10	.851/21.61	.836/21.23	.821/20.85	.961/24.41	NO
7540X-083	.519/13.18	.502/12.75	.039/.99 NOTE 9	.549/13.94	.534/13.56	.519/13.18	1.091/27.71	NO
7540X-084	.630/16.00	.159/4.04	.039/.99 NOTE 9	.635/16.13	.620/15.75	.605/15.37	.859/21.82	NO
7540X-085	.519/13.18	.171/4.34	.039/.99 NOTE 9	.524/13.31	.509/12.93	.494/12.55	.760/19.30	NO
7540X-086	.926/23.52	.437/11.10	.039/.99 NOTE 9	.931/23.65	.916/23.27	.901/22.89	1.433/36.40	NO

NOTE 11

NOTE 12

NOTE 12

A

A

B

B

mat'l. code		surface		tolerance		projection		product family	
SEE NOTE 1		ASME Y14.5		ASME Y14.5				PIN PRODUCTS	
ltr	ecn no	dr	date	tolerances unless otherwise specified		INCH/MM		title	
BC				angles	XX*.01/XX*.3			BERGPIN® .200"[5.08]cc	
				0° ±2'	XXX*.005/XX*.13	scale 1:1		.039"[0.99] DIA. STAR	
					XXXX*.0020/XXX*.051			dwg no	
		dr	M. CORNMAN	1990-02-22			sheet 5 of 5		size
		engr	K.D. PATEL	1990-02-22			75401		A4
		chr	E. IORFIDO	1992-12-21			type		CUSTOMER Drawing
		appd	E. IORFIDO	1992-12-21					
sheet index	revision sheet								